

FGRC1244T1

HOME COMFORT

COOL CONNECT™ ROOM AIR CONDITIONER



PRODUCT DIMENSIONS

Height	14-1/2"
Width	19"
Depth	24-5/8"

MORE EASY-TO-USE FEATURES

The Frigidaire® Smart App

The Frigidaire® Smart App provides you the convenience to remotely change temperature, turn the unit on & off, and create custom schedules.

Save Energy & Money

Only run your AC when you need it with the Frigidaire® Smart App, so that it can save you on energy costs.

Effortless™ Scheduling

Conveniently develop a custom schedule for your AC 24 hours a day. Easily program your AC during the day, at night, during the week and on weekends.

Comfortably Cool Rooms

With 12,000 BTUs, the AC is ideal for cooling rooms up to 550 square feet.

Multi-Speed Fan

Features three different fan speeds for more cooling flexibility.

Effortless™ Temperature Control

Our air conditioners maintain the preset room temperature, so you will remain comfortable at all times.

Sleep Mode

Maximum comfort throughout the evening hours with the added benefit of energy savings. With Sleep Mode, the temperature gradually increases a few degrees over the evening.

CERTIFICATIONS

ENERGY STAR®



SIGNATURE FEATURES



Cool Your Room Anywhere, Anytime

Control your AC from anywhere on your smart device. Turn the unit on or off, change temperature, control modes, and adapt fan speeds to best meet your comfort.



Sleek Design

Reimagine what a room air conditioner looks like. With LED lighting, and a sleek and modern mesh grill, the Cool Connect™ Room Air Conditioner blends seamlessly into any room.



Even Cooling of Any Room

Innovative slanted louvers direct airflow in an upward, circular motion, allowing for even cooling of the entire room.



New Easy Clean Mesh Filter

New magnetic closure allows the mesh antibacterial filter to be easily removed for convenient cleaning.

PERFORMANCE BTUS

Cool	12,000
------	--------

FGRC1244T1 HOME COMFORT

COOL CONNECT™ ROOM AIR CONDITIONER

FRIGIDAIRE
GALLERY.

PERFORMANCE

BTU (Cool)	12,000
Dehumidification (Pints/Hour)	3.8
Cool Area (Up To Sq.Ft.)	550
Combined Energy Efficiency Ratio	12.0
Energy Efficiency Ratio	12.0

ELECTRICAL

Volts	115
Amps (Cool)	8.7
Watts (Cool)	1,000
Length of Power Cord (Min./Max.)	6'/6.5'
Plug Type (NEMA)	LCDI (5-15P)

FEATURES

Electronic Controls	Ready-Select® Controls
Fan Speeds (Cool/Fan)	3/3
Low Voltage Start-Up	Yes
Auto Cool Function	Yes
Energy Saver Mode	Yes
Sleep Mode	Yes
Filter Check	Yes
24-Hour On/Off Timer	
Clean Air Ionizer	Yes
Remote Control	Full-Function
Air CFM (High/Med/Low)	285/256/237
Air Direction Control	4-Way
Fresh Air/Exhaust Vent/Closed	No/No/Yes
Filter Type	Antibacterial Mesh
Filter Access	Slide-Out
Slide-Out Chassis	
Window Mounting Kit (Included)	Pleated Quick Mount
Warranty ¹	Yes

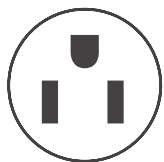
CERTIFICATIONS

ENERGY STAR®	Yes
Performance	AHAM

SPECIFICATIONS

Refrigerant	R410a
Shipping Weight (Approx.)	87 Lbs.

¹Warranty 5 year sealed system/1 year full parts and labor.



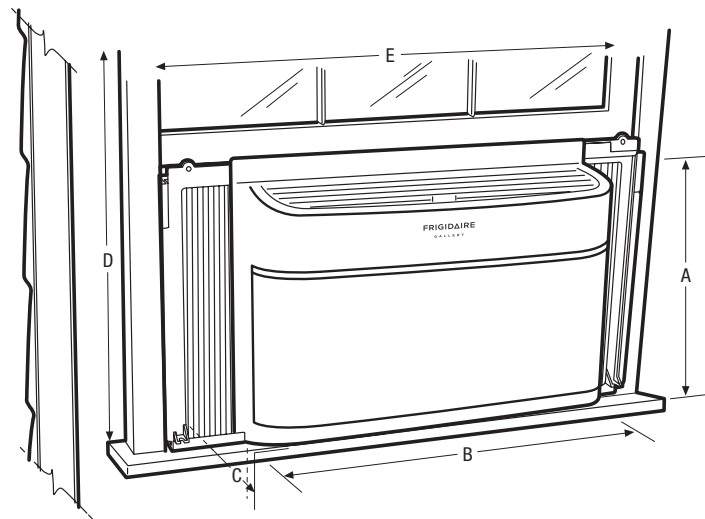
Plug Type (NEMA)
5-15P

PRODUCT DIMENSIONS

A - Height	14-1/2"
B - Width	19"
C - Depth	24-5/8"

WINDOW DIMENSIONS

D - Height (Min.)	15-1/2"
E - Width (Min./Max.)	23" / 36"



Note: For planning purposes only. Always consult local and national electric, gas and plumbing codes. Refer to Product Installation Guide for detailed installation instructions on the web at frigidaire.com.

Specifications subject to change. Accessories information available on the web at frigidaire.com

FRIGIDAIRE

USA • 10200 David Taylor Drive • Charlotte, NC 28262 • 1-800-FRIGIDAIRE • frigidaire.com
CANADA • 5855 Terry Fox Way • Mississauga, ON L5V 3E4 • 1-800-265-8352 • frigidaire.ca

FGRC1244T1 01/18
© 2018 Electrolux Home Products, Inc.